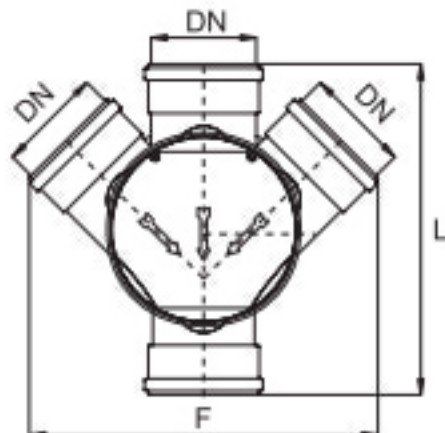
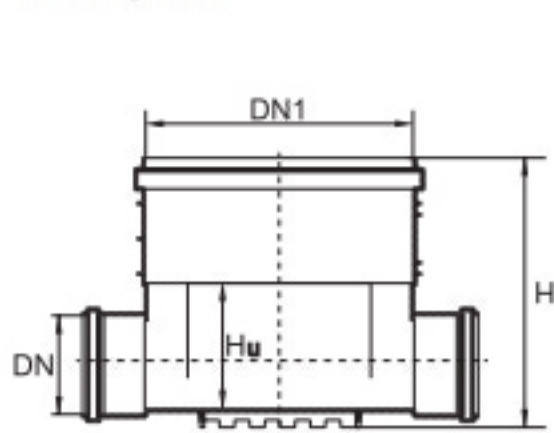


CHAMBER BASE TYPE 400 3 INLETS

WITH SEAL



DN [mm]	DN1 [mm]	H [mm]	Hu [mm]	L [mm]	F [mm]	Product no.
110	400	352	335	456	550	34110
160	400	432	205	536	600	34115
200	400	402	410	509	660	34210
250	400	800	545	1130	1130	34220
315	400	800	545	1080	1130	34310